

Greater San Antonio Quilt Guild, Inc.



September 8
Guild Meeting

10:00 AM

St. Andrew's Church
8231 Callaghan Rd.

**Charlotte
Keener and
Marilyn
Parsons**

Remember to bring to
the meeting:

- Nametag (wear it)
- Library books,
videos & patterns
- QPC and Bright
Hopes Projects
- Memberships expire.
Plan to pay your dues.
- Smiles for your
friends

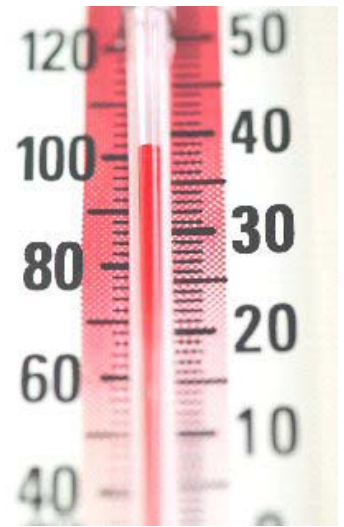
MY Oh MY, It's A 105!

You know, you would think that after 15+ years of living in South Texas I would be used to these triple digit days. Nope, I guess it just ain't gonna happen.

What is happening is the building anticipation of our up and coming quilt show. Can't you just smell it in the air? The fabric, the door prizes, the whirring sound of the newest and must have sewing machine. Not to mention the oohs and ahs over some of the most beautiful quilts this side of Houston. These are only a few of the wonderful things we all enjoy at our quilt show. Thanks ever so much for the dedication and time from our Quilt Show committee and of course many kudos to the many, many volunteers who help make our show one of a kind.

So ya'll dig out your tickets for the raffle quilt, I'll be the one down front, screaming, it's mine, it's mine! Wahoo, I won!

Bobbie Ashley



Win A Chunk-O-Fabric

Yes! That's right, come one come all...
Look for the **GSAQG logo besides the one on the front page**, note the page.

Drop you name with the page # at the next

Guild meeting and you just might
Be the lucky **WINNER!**

Good Luck!





Program Notes



September Program - A double treat! Charlotte Keener will report on her experiences using the Ethel Howey grant and Marilyn Parsons will be doing a presentation on Hawaiian quilts.

October Program - Our annual quilt shop program will feature Fabric 'n Friends from Castroville.

November Program - A return appearance by Cathy Miller, the Singing Quilter. Cathy will be featuring songs and stories about quilts from her latest CD

Fat Quarter Exchange

Bring fat quarters and put your name in the basket for each one you bring. Win a group of fat quarters at the drawing. The colors for September are blue and purple.

MEMBERSHIP INFORMATION

REGULAR DUES \$20 SENIOR (over 65) \$15
Send your check with SASE to: Gloria Hammond

NEWSLETTER INPUT

DEADLINE: Midnight Monday (after Guild Meeting)
email to quiltnews@satx.rr.com is preferred.
Or mail -Dea Jae Shore

NEWSLETTER ADVERTISING

	monthly	yearly
Full Page Ad	\$60.00	\$660
1/2 page Ad	\$30.00	\$330
(Horizontal - 7 x 4 3/4 Vertical - 3 3/8 x 9 1/2)		
1/4 page Ad	\$15.00	\$165
Business Card (2 x3.5)	\$10.00	\$110

Board Meeting Minutes August 6, 2007

Board members present: Larry Beauchamp, Lois Beauchamp, Bernie Farris, Dea Jae Shore, Barbara Sumlin, Bobbie Ashley, and Lori Branson. Absent were: Karen Nanos, Mary McCarthy, and Sandy Mehall.

Meeting was called to order at 1:06pm

President: Bobbie Ashley announced that the budgets by each committee be submitted to her by Saturday, 11th of August 2007. A discussion regarding the nominating committee was held.

There will be no Calico Rose presented this month.

President Pro-Tem: Lois Beauchamp announced that a trash container has been placed in the storage room and hopes it will be used and when necessary, emptied.

1st Vice-President – Special Events: Mary McCarthy, through Bobbie Ashley, announced that the deadline for the Quilt Show has been extended until August 18th.

2nd Vice-President – Newsletter/Directory: Dea Jae Shore stated she received several requests to update web page. She will be getting this done this month.

3rd Vice-President – Programs: Larry Beauchamp requested the date of the Quilt Auction and Style Show. The Style show will be the Sep. 2008 general meeting program. The quilt Auction will be held Sep. 27th, 2008. Larry also announced the Libby Lehman workshop is sold out for this Friday.

4th Vice-President – Services: Bernie Farris announced that she would not be here this Saturday and needed someone to set-up and tear-down the tables and chairs for the meeting. Bobbie and Lori volunteered to do this for her.

5th Vice-President – Community Outreach: Nothing to report.

Treasurer: No report given...Karen is out of town. Report will be given at the general meeting.

Unfinished business: No unfinished business to discuss.

New Business: The 2008 Quilt Auction was discussed

General Meeting Minutes August 11, 2007

President: The meeting was held at the St. Andrew's Presbyterian Church meeting hall and called to order at 10:03 am. The July minutes were approved as e-mailed and published. There was no Calico Rose awarded for August meeting. Bobbie went over qualification requirements to receive the Calico Rose and encouraged members to nominate someone they felt went the "extra mile" for the guild.

President Pro Tem: No report given.

1st Vice-President Special Events: Janet Miller announced that the deadline to accept quilt entries was extended until Aug. 18th. We have 205 quilt entries at this time and can have as many as 250. The Quilt Show committee is asking for volunteers for the quilt show. There are many open shifts that need to be filled. So ladies sign up and remember that you can get into the show free if you are volunteering. Janet also announced that vendors will be setting up for the show Thursday Sep 13th and are willing to pay for assistance so if you have any high school or college kids that would like to earn a bit of spending money let the committee or Amy Cottrell know so the information can be passed along.

Kris Thomson announced that sign-ups for the winter retreat begin today. The cost for the Winter Retreat is \$155.00 and there is a non-refundable \$50.00 deposit required when you sign up. The dates for the retreat are: Jan. 4th-6th, 2008.

2nd Vice-President – Newsletter/Directory: Dea Jae Shore announced that she would be out of pocket most of the month but can be contacted via email if anyone needs to get in touch with her.

3rd Vice-President – Programs: No report given.

4th Vice-President – Services: Mary Ruth Flores asked that if anyone had magazine binders they could donate, she could surely use them for the Quilter's Newsletter magazine as she found out that the cost to bind them was a bit higher than she believed it to be. She also thanked contributors of the Quilter's Newsletter magazines she received and said these were greatly appreciated and almost filled the void for issues that were either missing or waterlogged.

5th Vice-President – Community Outreach:

Geneva Guzman announced that there are 42 riders signed up for the Houston bus, but there are a few who have not paid the \$45.00. There is a waiting list so get your money to her to assure you seat. 1st

paid is 1st seated.

Nechia Dawson Chairperson for Story Book Quilts announced that she has some new books that need quilts to go along with them. Anyone interested in volunteering to make a quilt to go along with a book is to see her after the meeting.

Treasurer: CD: \$20,000.00; CD: \$15,000.00; Operating Acct.: \$22,500.26; Savings: 15,889.32; TOTAL: \$73,389.58

Unfinished Business: None

New Business: None

Library Information

Hello Everyone!

Welcome to the redesigned Book Library, now the Book and Magazine Library. Thanks to Kelly Montgomery (and her kids) and Stephanie Martin we are in fine shape. Half of the QNM are in binders and we are only missing a few. More Thanks to Eleanor Wright and Carol Rouse who donated a huge load of magazines that replace most of what we were missing. The issues we are still missing are listed at the end of this note. What the Library really needs are binders. These are the binders that QNM use to sell to keep a year's worth of magazines in at a time. They use wires as spines to hold the magazines in. I'm looking for ones from any magazine, not just QNM, I can make labels of any size to cover up the decorations and names. They can hold any amount from 4 to 20 issues, we will be using the same kind of binders for AQS also. And could the kind person who spoke up at the meeting she had binders to donate email me please. I forgot to write down your name and that means I don't remember who it was. Sorry!!!



The issues we are looking for are (from 1970)-1, 2, 3, 5, 6, (from 1971)-16, (from 1972)-26, 33, 36 (all of 2006,) (from 2007)-389, 390, 391

email me if you would like to donate magazines or binders, thanks!!

Mary-Ruth Flores aagarita@satx.rr.com

**Greater San Antonio Quilt Guild
Treasurer's Report
For the Six Months Ending
June 30, 2007**

	Year to Date Actual	2007 Budget
REVENUES		
Dues - Membership	\$2,320.00	\$4,500.00
Interest	658.75	1,100.00
Newsletter/Directory Ads	700.00	800.00
Other	153.50	400.00
Retreat - Summer	9,010.00	10,000.00
Retreat - Winter	1,250.00	3,400.00
Houston Bus trip	260.00	0.00
Quilt Show	20,655.00	48,000.00
Workshops	1,705.00	3,200.00
Total Revenues	\$36,712.25	\$71,400.00
EXPENSES		
Administration	\$878.56	\$4,500.00
Door Prizes	80.00	220.00
Bright Hopes	538.97	750.00
Community Response	42.36	100.00
Storybook Quilts	0.00	500.00
Storage facility	2,745.23	4,900.00
Community Outreach	66.35	250.00
Library	29.10	300.00
Membership	56.78	100.00
Newsletter/Directory	1,587.27	2,500.00
Patterns	0.00	100.00
Postage, Bulk	360.00	500.00
Programs	4,249.52	8,220.00
QPC	41.45	350.00
Rent (Meetings)	750.00	1,650.00
Retreat - Summer	255.00	10,000.00
Retreat - Winter	3,988.00	3,400.00
Quilt Show	1,718.11	28,000.00
Telephone	309.66	700.00
Video Library	0.00	300.00
Workshops	1,475.00	3,250.00
Webpage	251.35	300.00
Ethel Howey Grant	0.00	1,000.00
Total Expenses	\$19,422.71	\$71,890.00
OPERATING ACCOUNT	\$22,625.91	
SAVINGS ACCOUNT	15,742.24	
CD	15,000.00	
CD	20,000.00	
TOTAL GUILD FUNDS	\$73,368.15	
KAREN NANOS, TREASURER		

**QUILTERS SHOW
CALENDAR**

Reach for the Stars

Chisholm Trail Quilt Guild

Oct. 5-6, 2007

Dell Diamond

3400 E. Palm Valley Rd, Round Rock, Tx

For more information:

Visit <http://www.geocities.com/chisholmquilt/>

**ALAMO HERITAGE QUILT GUILD
4th ANNUAL QUILT AUCTION & TABLE SALES**

Thursday, September 13, 2007

Preview at 6:30 pm

Live/Silent Auction at 7:00 pm

**St. Matthew's United Methodist Church
2738 Bitters Road, San Antonio, Texas.
(located in the gym behind the church)**

FREE ADMISSION

ITEMS: Quilts, Quilt tops, Fabrics, Sewing & Quilting
Supplies, And Lots More

Contact: Linda Sides (210) 805-9090
www.alamoheritagequiltguild.com



Sunshine and Shadows

Remember - birthdays, graduations, anniversaries, awards, are fun to share as well as the shadows of life. Email me, Amy Cottrell,

at qorg@aol.com with your information or call

at 972-475-2028

Sorry I missed the August newsletter. Our sunshine was that our granddaughter, Rhyse, was baptized in Austin in July and we were out of town.

Valerie Arcement notified us that a long time guild member, Ann Knapp, died on June 19. She was an active and very talented member of the guild for years. A truly lovely person. Our sympathies to the friends and family of Ann.

Cathy Baisley's father died on June 18, 2007. Our deepest sympathies for Cathy and her Family. Cathy's email address is

catsmeowquiltshop@satx.rr.com

Thanks to Judie Miller who let us know that our Quilt Show is listed in the Events Calendar on the Texas Highways web site!!!! And it has a link to our web site. It looks GREAT!!!

Congrats! <http://texashighways.com/currentissue/eventscalendar.php?event=2069>

Janet Miller informs us that our show has gotten publicity on the official San Antonio Calendar and the AAA calendar. Kudos to Janet for a job well done! The San Antonio Calendar is www.sanantoniovisit.com, Events Calendar, and find the show. They have a photo of our raffle quilt when you hit "MORE INFO". This is the write-up on their site:

Event Description

Three day showing of over 230 judged quilts from San Antonio, other parts of Texas and several from out of state. The quilts range from miniatures to king size plus garments. Will have 48 vendors selling the latest quilting and sewing related items, hand dyed fabric and baskets. Special exhibits: Story Books To Go, Past Guild Presidents Quilts, and Diane Leclair, Guild member and only Texan awarded the title Master Quilter by the National Quilting Association.

COMMITTEES

ADVERTISING
ARCHIVIST
AUCTION 2008

BEE KEEPER
BRIGHT HOPES
BRING & BRAG
COMMUNITY ED
COMMUNITY RESPONSE
DIRECTORY
FALL at the ALAMO
FOLK LIFE FESTIVAL
HOUSTON BUS
ITC QUILTERS
LIBRARY-BOOKS, MAG.
MAGAZINE SALES
MEMBERSHIP
MEMBER SVC.

Barbara Wofford
Sherry Allred
Lori Branson
Linda Ethridge
Charlotte Keener
Mike Mitchell

Betty Tope
Gundy Clevon
Dea Jae Shore
Mary Ruth Flores
Kay Allison
Geneva Gusman
Kay Allison
Mary Ruth Flores
Stephanie Martin
Gloria Hammond
Liz Hooge

PATTERNS
PHOTO
PUBLICITY
QPC
QUILT-IN
RETREAT-JULY 2008
RETREAT-JANUARY 2008
SECRET SISTERS

STORYBOOK QUILTS
STYLE SHOW 2008
SUNSHINE & SHADOWS
EMAIL TREE
VIDEOS
WEBMISTRESS
WELCOMING

YOUTH ALTERNATIVES

Patricia Patton
Sherry Sorbera
Mary McCarthy
Carol Rouse
Shirley Carter

Kris Thomson
Charlotte Keener
Melissa Allo
Nechia Dawson
Ruth Felty
Amy Cottrell
Amy Cottrell
Shirley Carter
Dea Jae Shore
Kitty Janiga
Sharon Ross
Jean Powell

A Fiesta of Quilts September 14-16, 2007

Our quilt show, A Fiesta of Quilts is upon us. Two years of very hard work by the quilt show committee has produced a wonderful event.

Thanks to all of the Guild members who are sharing their quilts with us and the public by entering them in the show. Please wear your Participant ribbon proudly.

We will have three judges, Connie Silber, Tyler, TX, Sally Hatfield, Globe, AZ and Marcia Kaylacki, Austin, TX. Marcia will be doing appraisals during the show. Call Doris Patterson, 656-0334, for an appointment, there are just a few appointments left.

Thursday evening is Preview Night, open to all Guild members, entrants and their significant others. Please no children under 10 years of age unless they are an entrant. You will also have an opportunity to meet the judges.

The schedule for Preview Night:

- 6:00-6:30 A Fiesta Style buffet
- 6:30-6:45 Presentation of the Patriotic Quilt to the Blue Star Mothers
- 6:45-7:15 A Lecture by Jane Tenorio-Coscarelli, our featured speaker
- 7:15-8:00 Awards Ceremony with power point presentation by Larry Beauchamp
- 8:00-9:00 Quilt exhibits will be open for preview. Vendor booths will be closed.

Special exhibits at this year's show will include some of the quilts presented to Guild Past Presidents as they leave office, the Guild's 25th Anniversary Quilt, the 9-11 Patriotic Quilt, made by Guild members, and the Story Book and Quilts To Go Project.

Working from Dallas Amy Cottrell has again done a super job of lining up vendors. At the present time there are 48 vendors for a total of 71 booths. The vendors are coming from all corners of Texas as well as California, New Mexico, and Minnesota.

Remember the Silent Auction, donations before the show and bids on items during the show, Lois Beauchamp, leb@satx.rr.com, 561-0719 and the GSAQG Boutique, Janice

Frankenberger, janicef@stic.net, 681-2276.

Admission prices this year are \$6.00/day and under 6 years of age free. We are trying something new this year, a two day ticket for \$10.00.

Please, please, please remember to sign up for at least one shift with Janis Painter. This show would not succeed without the support of the entire Guild.

Now, LET'S FIESTA.

Janet Miller, Ida Blankenship and the Show Team

Quilt Show Boutique

For those of you who have items for the boutique, please remember to bring the items along with your inventory sheets to the September guild meeting. I will be at the meeting early and I will stay as long as needed after the meeting to collect the items. If you forgot to pick up an inventory sheet and you have items to sell I will have extra forms with me.

Just a reminder, each item should have a detachable price tag that includes the inventory number (from the inventory sheet), your 3 initials, a brief description (wall hanging, pin cushion) and the asking price, in 25-cent increments. You will receive 80% of the asking price after tax. There is no dollar limit on items you wish to sale.



Items should be turned in at than the September guild meeting.

Please arrange to pick up your items after the show Sunday evening, if you are unable to pick up your items yourself, please have some one do it for you.

If you have any questions, please call me at (210)-681-2276. I will return your call as soon as possible.

Janice Frankenberger

Volunteers Still Needed! Quilt Show — Sept. 14, 15, and 16

This year we hope to have an awesome quilt show, but we still need one thing. We need you to sign up to volunteer. It takes volunteers to make the whole event work. There are benefits to volunteering. You get free admission to the show on the day that you volunteer, and you might win one of the “volunteer only” door prizes. You will receive one ticket to put in the box for each two-hour shift that you work. White glove volunteers get TWO tickets for each two-hour shift. You do need to be able to walk around for two hours to do White Gloves. Please, call me or email me and let's have a fabulous show! Parking is a problem Friday and Saturday so could able bodied volunteers please park to the side or back.



Janis Painter
688-9578
jlp12321@aol.com

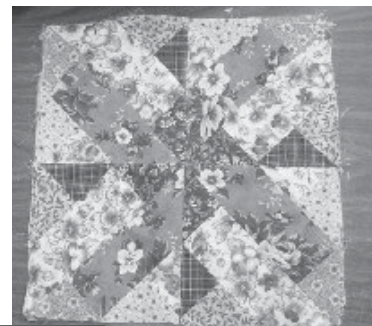
Do You Have Any of These Blocks?

The Quilt Projects Committee has some projects that could be finished up if we locate the remaining blocks. They are:

- America the Beautiful — only need the collage blocks for California, Wyoming, and South Carolina
- Tap Dance — need 7 blocks
- I Spy — one row
- Jack's Chain — need 3 blocks (partial circles)

These were all checked out quite awhile ago, so please check your work spaces.

Carol Rouse



Silent Auction

We still need items for the silent auction at the quilt show,. Please bring them to the next meeting, or give me a call and I'll arrange to pick them up. Also, someone took an item to finish a couple of meetings ago, and I'd appreciate that person calling me, or bringing it to the next meeting. Lois Beauchamp 651-0719

VENDORS AT SAN ANTONIO QUILT SHOW, SEPTEMBER 14, 15, and 16

The following vendors will be at our quilt show in September. If you volunteer for 3 days (information in another article in newsletter) you can shop for 3 days! If you find any WWW address errors, please email me at qorg@aol.com (Amy Cottrell)

NEW	1/4 INCH PUBLISHING	LAKE ELSINORE, CALIFORNIA	www.quarterinchpublishing.com
RETURN	A STITCH IN TIME	TEMPLE, TEXAS	www.astitchintimequiltshop.com
NEW	A-1 QUILLTING MACHINES	AUSTIN, TEXAS	www.sandysquilts.com
RETURN	ALAMO STITCHIN POST	SAN ANTONIO, TEXAS	www.alamostitchinpost.com
RETURN	ARTSPOKEN YARDAGE	ST PAUL, MINNESOTA	www.m-artistic.com
NEW	AUSTIN SEWING MCHNS	AUSTIN, TEXAS	www.austinsewing.com
NEW	BEEFORE IT'S A QUILT	PORT LAVACA, TEXAS	
RETURN	BY KATE	ELGIN, TEXAS	www.bykate.com
NEW	CATS MEOW QUILT/LINDA'S ELECTRIC QUILTERS SA	SHERMAN, TEXAS	www.catsmeowquiltshop.com
RETURN	COLOR ME PATTERNS	FAIROAKS, TEXAS	www.stores.ebay.com/Country-stitt-ches
RETURN	COUNTRY STITT-CHES	SAN ANTONIO, TEXAS	www.sewsanantonio.com
RETURN	CREATIVE SEWING	ARLINGTON, TEXAS	
NEW	DEE'S REDWORK	NORMAN, OKLAHOMA	
RETURN	DYE-LICIOUS FABRICS	CIBOLO, TEXAS	www.greystone-wood.com
RETURN	GREYSTONE	SAN ANTONIO, TEXAS	www.sanantonioquilt.org
RETURN	GSAQG BOUTIQUE	GRANBURY, TEXAS	www.houstonstmercantile.com
RETURN	HOUSTON ST. MERCANTILE	ROSWELL, NEW MEXICO	jmichellewatts.com
RETURN	J MICHELLE WATTS DESIGNS	DALLAS, TEXAS	
NEW	JEWELRY BOUTIQUE GABRIELLE	LA MARQUE, TEXAS	www.kargenterprise.net
NEW	KAR/GEO ENTERPRISE	SAN ANTONIO, TEXAS	www.karenmartinsat.com
RETURN	KAREN MARTIN	SAN ANTONIO, TEXAS	www.memoriesbytheyard.com
RETURN	MEMORIES BY THE YARD	GRANBURY, TEXAS	
RETURN	PEGGY'S QUILT STUDIO	DAVIS, CALIFORNIA	www.sweettreat.com
NEW	PINCUSHION BOUTIQUE	SAN ANTONIO, TEXAS	www.plainjanesfolkart.com
NEW	PLAIN JANE'S FOLK ART	GEORGETOWN, TEXA	www.poppyquiltnsew.com
NEW	POPPY QUILT 'N SEW	COLLEGE STATION, TEXAS	aggielandfabric.com
NEW	PRUITT'S FABRICS	NEW BRAUNFELS, TEXAS	www.quiltHaus.com
RETURN	THE QUILT HAUS	TYE, TEXAS	www.kitsandquarters.com
NEW	QUILT KITS & QUARTERS	VICTORIA, TEXAS	www.quilterspatch.com
RETURN	QUILTERS PATCH	GALVESTON, TEXAS	www.quiltsbythebay.com
RETURN	QUILTS BY THE BAY	FREDERICKSBURG, TEXAS	www.sandyjenkins.com
RETURN	SANDY JENKINS DESIGNS	SAN ANTONIO, TEXAS	www.seventhheavenquiltshop.com
RETURN	SEVENTH HEAVEN	SAN ANTONIO, TEXAS	www.sewmanyvisions.com
RETURN	SEW MANY VISIONS	SAN ANTONIO, TEXAS	www.sewspecialsa.com
RETURN	SEW SPECIAL QUILTS	EDGEWOOD, TEXAS	
NEW	SIDNEY COBB'S BASKETS GALORE	SAN ANTONIO, TEXAS	
RETURN	SHIRLEY THOMAS DESIGNS	SULPHUR SPRINGS, TEXAS	
NEW	SHOESSTRING SEWING / ALTO'S	SPRING, TEXAS	www.snipandpins.com
RETURN	SNIP & PINS	HOUSTON, TEXAS	
NEW	SO SEW	HOUSTON, TEXAS	www.quiltfrog.com
NEW	TEXAS QUILT MACHINES	SALADO, TEXAS	www.thesewingbasket.com
RETURN	A SEWING BASKET	AUSTIN, TEXAS	www.theurbanattic.com
NEW	THE URBAN ATTIC	HARLINGEN, TEXAS	
NEW	TWO HEARTS GENERAL STORE	SCHERTZ, TEXAS	www.vintageblissdesigns.com
NEW	VINTAGE BLISS DESIGNS	CARROLLTON, TEXAS	
NEW	WEAR ORIGINALS WONDERS!	WIMBERLEY, TEXAS	www.susancranshaw.com
NEW	WIMBERLEY FIBER ARTS	AUSTIN, TEXAS	
NEW	ZO-RAY CREATIONS		

Community Response Committee

The committee has been quietly at work during the last few months receiving and evaluating requests from community organizations and donating quilts for their charitable missions. Here is a recap of what has taken place during the last few months:

If you were not at the May guild meeting, you missed our announcement that the "ABC Quilt" donated by Charlotte Keener and auctioned in April by The San Antonio Assistance League, went for \$350.00. This amount was the best ever generated by any of our quilt donations.

Through the generosity of Sandra Retzloff, a member of the CRC committee, we were able to respond to the request of KLRN (Local Public Broadcasting Station) and donate a twin size bed quilt for their June 2007 annual auction and fundraiser. We showed the quilt "Dresden Plate" to the membership at the April guild meeting. When we saw the predominantly blue and yellow quilt, we all ooh'ed and aah'ed. In return for Sandra's and the Guild's generosity, KLRN provided some welcomed publicity for the Guild during the auction and in their brochure.

Ruth Felty, one of the guild's long time members, has donated several quilts since the inception of the CRC. The last one was given to the San Antonio Children's Museum" July 2007. Its title was "Bitz and Piecez". Ruth also donated a quilt top in July for a child sized quilt which Kimberly Hughes, one of our younger members, quilted on her long arm machine. This quilt was shown to the membership during the August Guild meeting.

The last request for a quilt came from Youth Alternatives. We will fill this request during the month of August.

As always, I will follow CRC's report to the membership with a plea for additional quilt donations since our inventory will consist of only 3 quilts once we make Youth Alternatives happy. Remember, your generosity will benefit the greater San Antonio community and make the raffle winners happy quilt owners.

Submitted by Gundy Cleven, CRC Chair
August 12, 2007

BRIGHT HOPES CHALLENGE

***Turn a "Dog" into a "Puppy!"**

At the October guild meeting Bright Hopes will challenge guild members to take a decidedly "ugly," non "kid-friendly" piece of fabric (approximately ½ yard by width of fabric) and within two months use it to create a quilt top for the Bright Hopes Project (quilt tops will be used at a future kit making party). The quilt tops will be due back at the December meeting.

There will be a small (\$5.00) fee for each participant with fees going towards prizes to be awarded when the tops are judged by guild members at the December meeting. Each guild member will be asked to choose their favorite quilt tops from the entrants, with the three garnering the most votes to be selected as the winners.

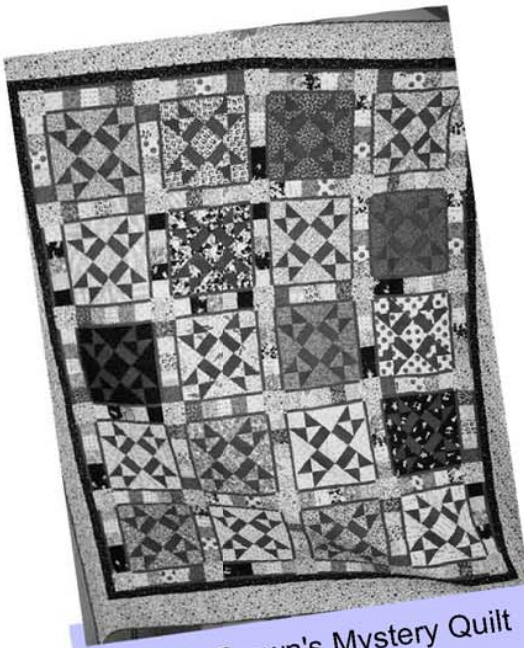
Bright Hopes will have a sample of the fabric on display at the September meeting so stop by and check it out.

- Mike Mitchell – Bright Hopes Chair -

* Thanks goes to Ann Marie Matonak and Gail Wiest for coming up with the idea during the Bright Hopes kit party in March and to Ann Marie for coming up with the challenge name.



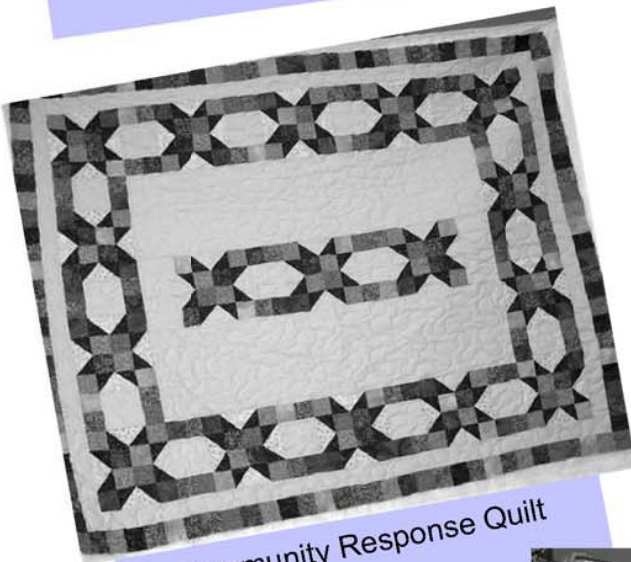
Bring and Brag



Andrea Brown's Mystery Quilt



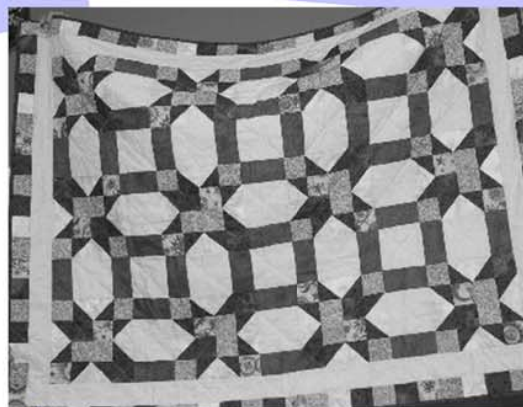
Carolyn Hammond's Wacky Wedge



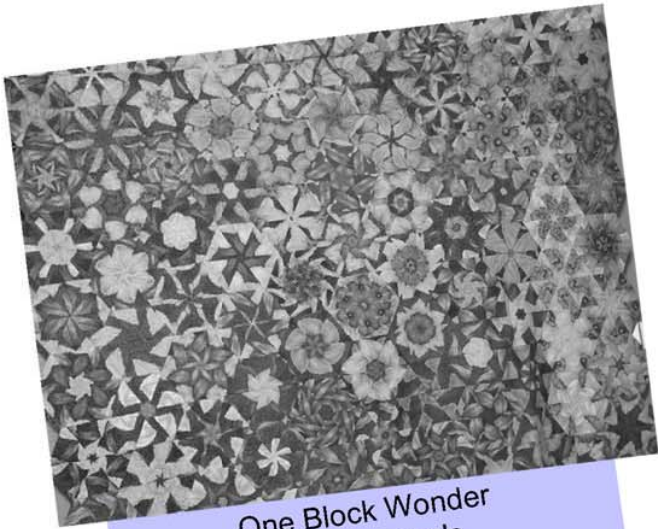
Community Response Quilt



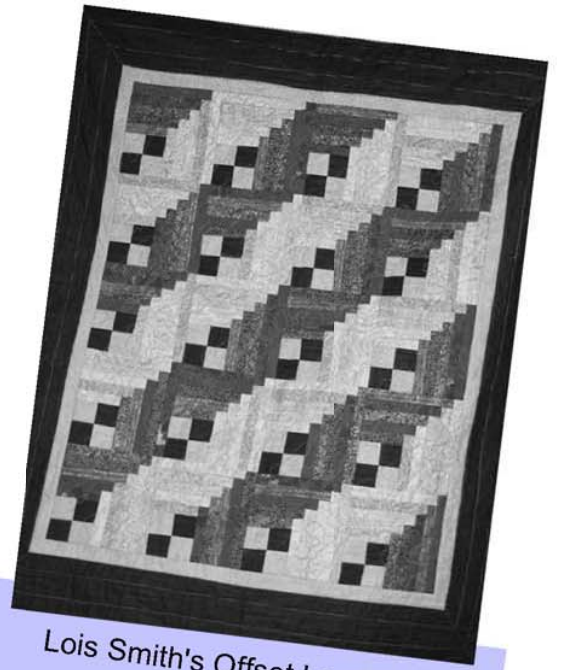
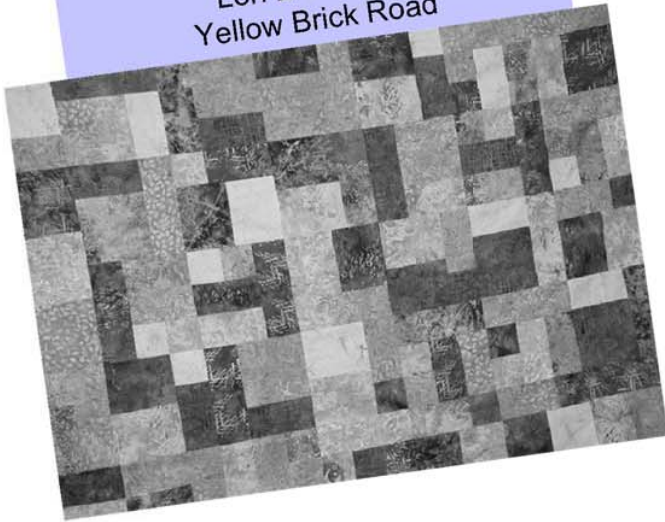
Kolodzie Harper's Strawberry Shortcake



Gundy Clevon's Star Quilt



One Block Wonder
Lori Branson's
Yellow Brick Road



Lois Smith's Offset Log Cabin



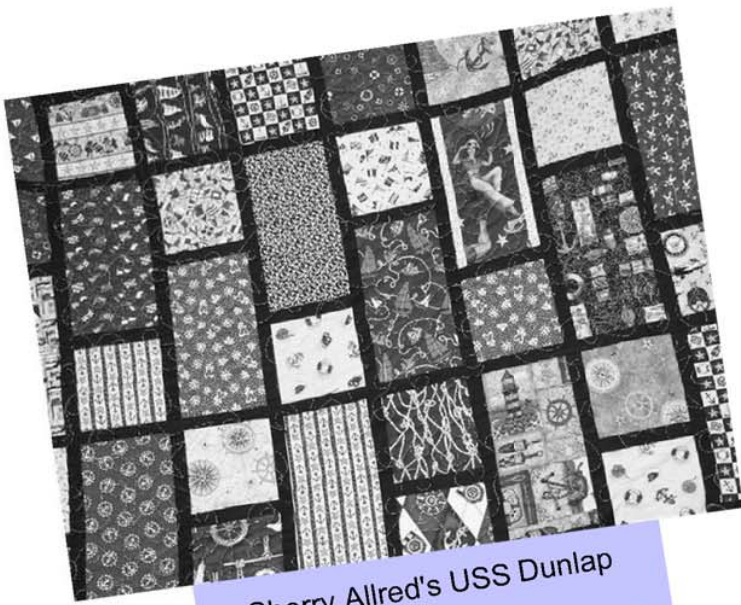
Mary Lou Burges' Log Cabin



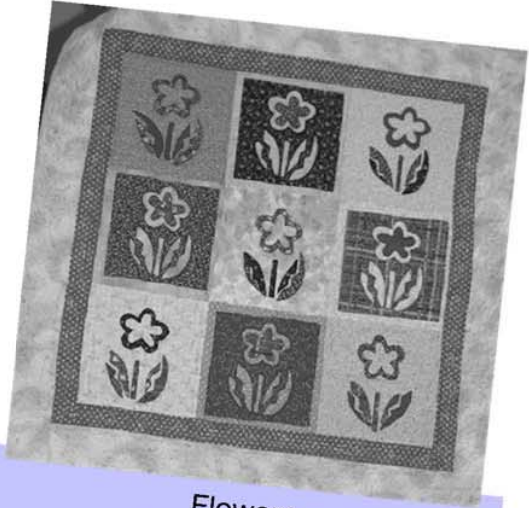
Pat Gonzalez' Log Cabin



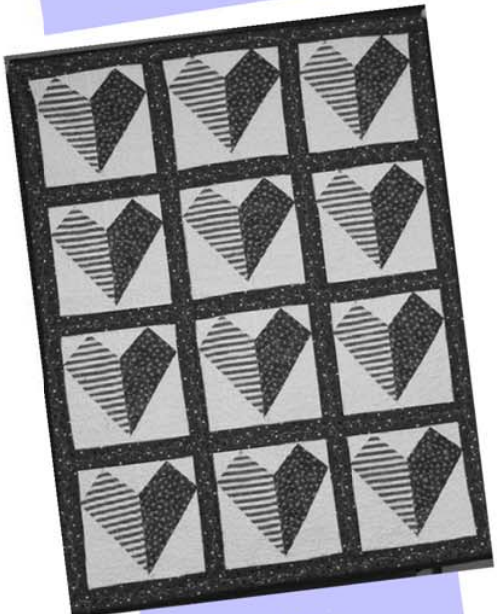
Ruth Felty's Watercolor Garden



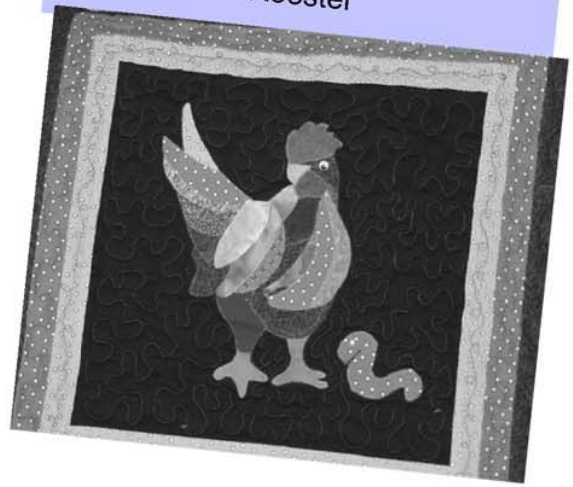
Sherry Allred's USS Dunlap



Flowers
Susan Johnson's
Rooster



Hearts
Susan Johnson's
Angel





ROAD SHOW

Longarm Quilting Seminar

APQS IS BRINGING OUR SHOWROOM TO San Antonio!

This is an introductory-level class designed to help you with researching longarm quilting machines and determining if longarm machine quilting is for YOU! We will conduct longarm quilting machine seminars/demonstrations in your area on Friday, September 7th and Saturday, September 8th. Join us for a few hours of quilting fun and education during sessions held from 1:00 to 4:00 PM and 5-8 pm on Friday and 9- noon and 1-4 pm on Saturday at the Hilton Garden Inn Airport 210-494-7600

We provide supplier information and discuss the business aspect of longarm quilting in addition to doing thorough demonstrations on each of our machines. The best part -- classes are FREE! We will also be joined by Award winning quilter and author Karen McTavish!

Class Sizes are Limited, so contact us to register!

Call APQS at 800-426-7233, to sign up or if you prefer, you may email Brandie Moore at bmoore@apqs.com.

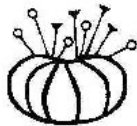


AMERICAN
PROFESSIONAL
QUILTING SYSTEMS



A Sewing Basket

560 N. Main Street • Salado, Texas 76571



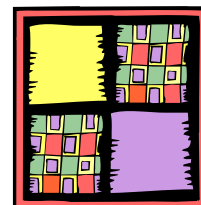
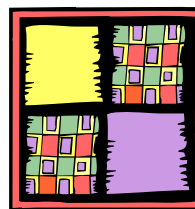
Fabrics • Quilting
Classes • Notions



Easy on and off of IH-35

www.TheSewingBasket.com
email: sewbasket@vwm.com

(254) 947-5423
1-877-244-0450
Fax (254) 947-5428



OAK LEAF QUILTS

225 S. SEGUIN AVE.
NEW BRAUNFELS, TX 78130
PHONE : 830.629.0774
FAX : 830.629.0887

CLASSES - FABRIC - NOTIONS
M-F 9:30 - 5:00 ; SAT 9:30 - 3:00

AUTHORIZED BERNINA DEALER



Ledenham Sewing Machine Co.

Sales, Service & Parts



Cecil & Peggy
Owners



(formerly located in Joske's)
2107 Vance Jackson
San Antonio, Texas 78213

732-6309
Office & Fax



Quilt of Love

'Stars for Rene' presented to Rene Bradley at Memories by the Yard. The Guild managed to keep the secret and Rene was surprised by this beautiful blue and white quilt that was a product of guild members and various quilt shops. Rene says she sleeps under it every night

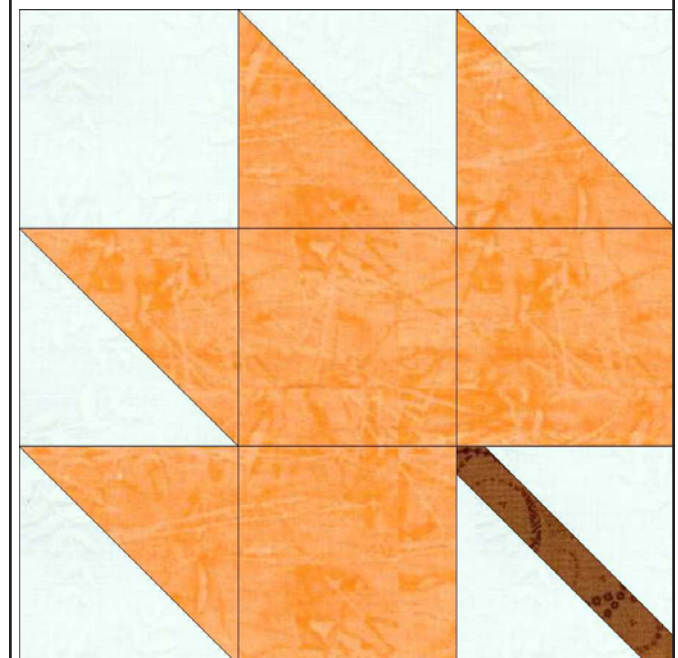


In class with Libby Lehman

Full classes both Friday and Saturday were a wonderful treat. Everyone there learned something new and creative.

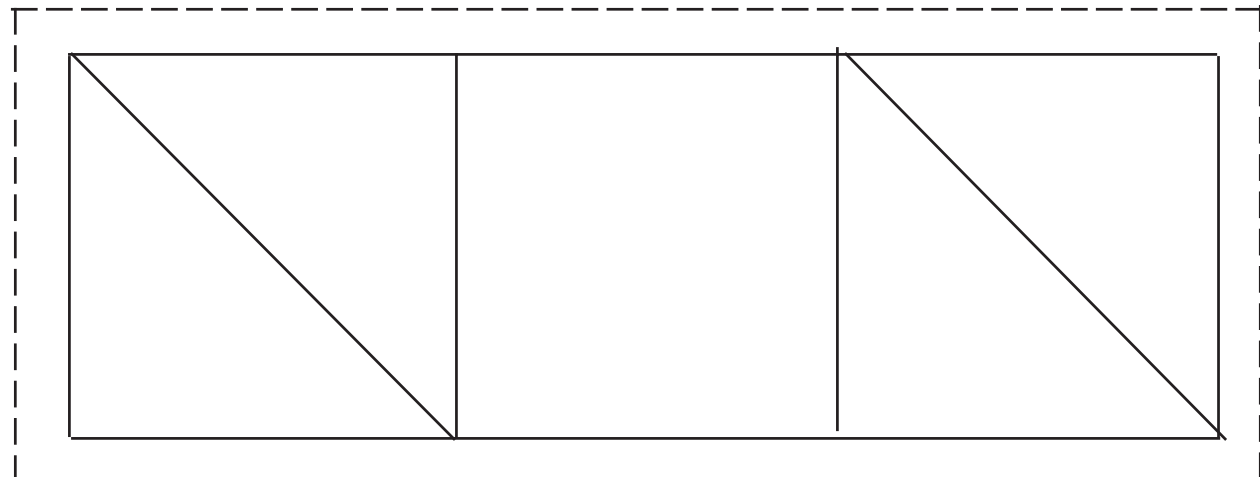
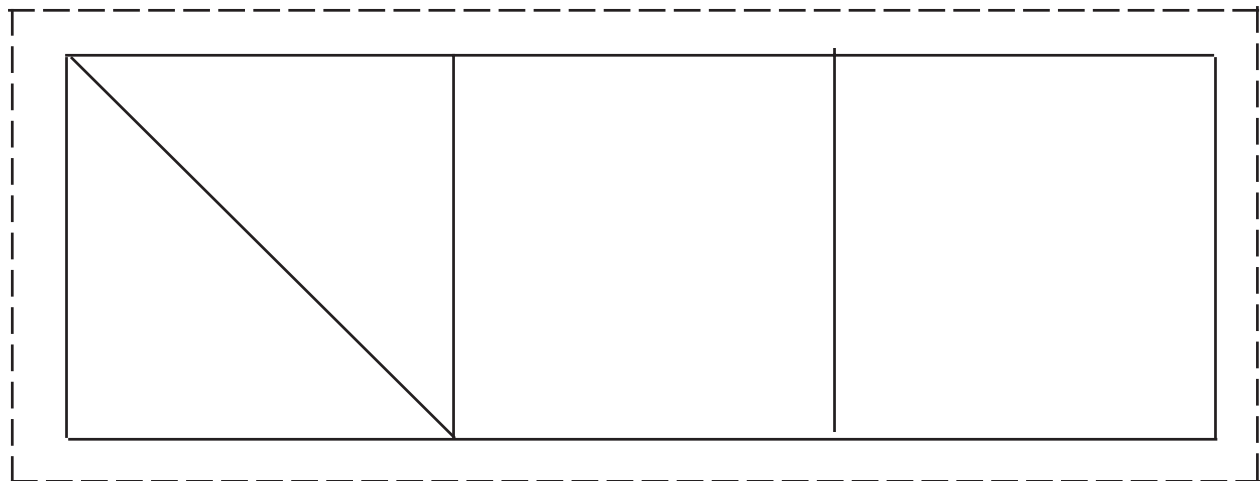
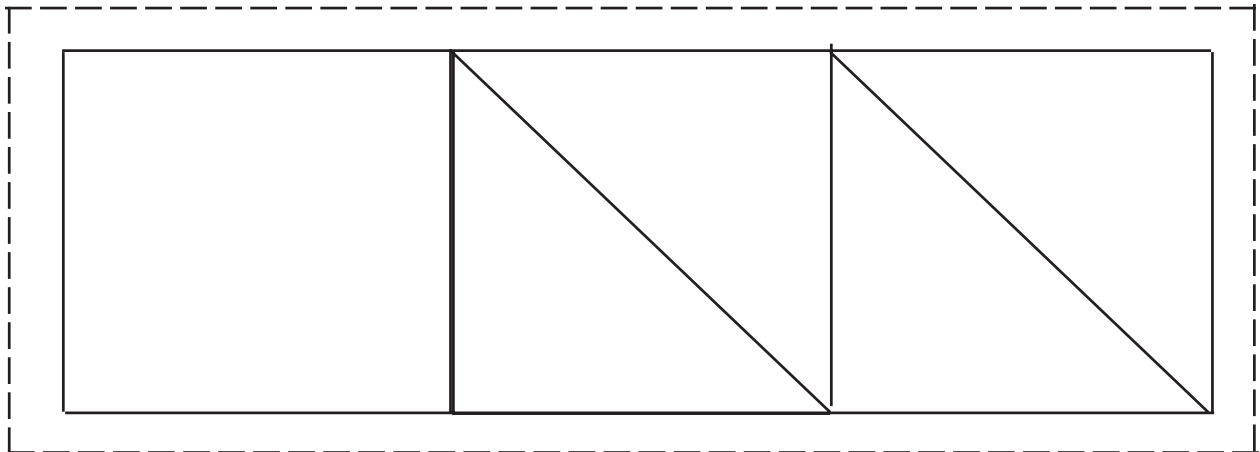


Picture of Maple Leaf for Block Party



October 2007 **BLOCK PARTY**

Here's a maple leaf. It can be paper pieced. Use a fall foliage color for the leaf. Off white for the background and brown for the stem. The block should be 6" x 6" finished or 6.5" x 6.5" unfinished. Bring as many as you like with your name attached to each one to the July Guild meeting. All names go in the basket and the lucky winner in the drawing gets all of the blocks.



GSAQG
P.O. Box 380522
San Antonio, TX 78268

Nonprofit Org. U.S. Postage Paid San Antonio, TX Permit No. 3572

September Schedule

August 27 BOARD MEETING-1PM
St. Andrew's Church

September 8 GUILD MEETING-10AM
St. Andrew's Church
8231 Callaghan Rd.

September 18 - Wearable Arts 6:30pm
Creative Sewing Center
11777 West Ave.
Hostess - Ida Tyson Blankenship

September 25 - Quilt-In 9:00 AM
Quilter's Point
15614 Huebner Rd, Suite 112
Hostess - Shirley Carter

Board of Directors

President Bobbie Ashley

President Pro-Tem

Lois Beauchamp

1st Vice President for Special Events

Mary McCarthy

2nd Vice President for Newsletter

Dea Jae Shore

3rd Vice President for Programs

Larry Beauchamp

4th Vice President for Services

Bernie Farris

5th Vice President for Comm. Outreach

Barbara Sumlin

Secretary, Lori Branson

Treasurer, Karen Nanos

Parliamentarian Sandy Mehall

Bold Offices expire December 2007